

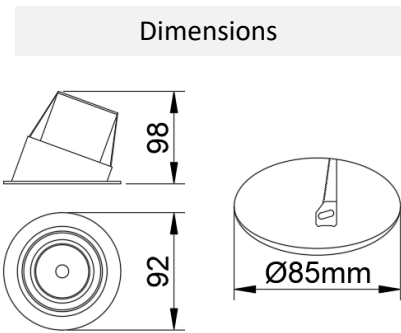
WASP ASYMMETRIC L



Prolight Design offers bespoke lighting solutions for some of the UK's largest retailers. From conceptual design to installation and beyond, we cover every element of retail lighting under one roof.

Recessed LED Luminaire, available in a variety of lumen outputs to suit every lighting requirement.
This fitting is available in a variety of colours as standard.
Please enquire for individual specifications.

Specification		Warranty Terms	
Lumen Output	Up to 960 lumens	0-12 Months from supply	FOC on site replacement
Colour Rendering Index	CRI 90 +	12-60 months from supply	FOC replacement of luminaire
Colour Temperature	2700K/3000K/4000K		
Luminaire Beam Angle	33°/36°		
Protection	IP20/IP54		
Colour	Variety		
Dimmable	To Order Only		
Driver	Remote		
Input Voltage	220-230V		
Weight	0.7kg		



This product has a warranty period of 5 Years from the date of purchase. The warranty is invalid in the case of improper use, installation, tampering, and removal of the Q.C. date label; installation in an improper working environment or installation not according to the current edition of the National Electric Code. Should this product fail during the warranty period it will be replaced free of charge, subject to the correct installation of the original product and subsequent return of the faulty unit. Outside of the initial 12 month period Prolight does not accept responsibility for any installation costs associated with the replacement of this product and Prolight reserves the right to alter specifications without prior notice.