

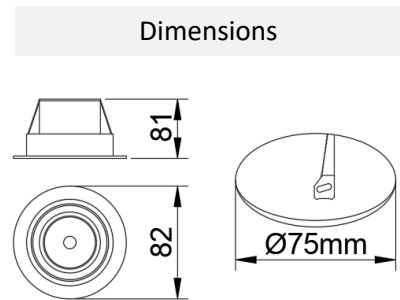
WASP M



Prolight Design offers bespoke lighting solutions for some of the UK's largest retailers. From conceptual design to installation and beyond, we cover every element of retail lighting under one roof.

Recessed LED Luminaire, available in a variety of lumen outputs to suit every lighting requirement. This fitting is available in a variety of colours as standard. Please enquire for individual specifications.

| Specification | | Warranty Terms | |
|------------------------|-------------------|--------------------------|------------------------------|
| Lumen Output | Up to 960 lumens | 0-12 Months from supply | FOC on site replacement |
| Colour Rendering Index | CRI 90 + | 12-60 months from supply | FOC replacement of luminaire |
| Colour Temperature | 2700K/3000K/4000K | | |
| Luminaire Beam Angle | 33°/36° | | |
| Protection | IP20/IP54 | | |
| Colour | Variety | | |
| Dimmable | To Order Only | | |
| Driver | Remote | | |
| Input Voltage | 220-230V | | |
| Weight | 0.5kg | | |



This product has a warranty period of 5 Years from the date of purchase. The warranty is invalid in the case of improper use, installation, tampering, and removal of the Q.C. date label; installation in an improper working environment or installation not according to the current edition of the National Electric Code. Should this product fail during the warranty period it will be replaced free of charge, subject to the correct installation of the original product and subsequent return of the faulty unit.

Outside of the initial 12 month period Prolight does not accept responsibility for any installation costs associated with the replacement of this product and Prolight reserves the right to alter specifications without prior notice.