

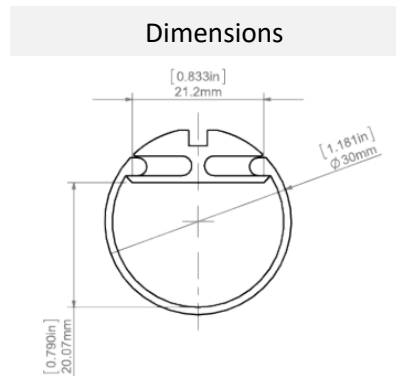
JAZ EXTRUSION



Prolight Design offers bespoke lighting solutions for some of the UK's largest retailers. From conceptual design to installation and beyond, we cover every element of retail lighting under one roof.

Suspended extrusion with circular cross-section and aluminium structure.

Specification		Warranty Terms	
Lumen Output	3600 lumens	0-12 Months from supply	FOC on site replacement
Colour Rendering Index	CRI 90 +	12-60 months from supply	FOC replacement of luminaire
Colour Temperature	4000 K		
Protection	IP20		
Colour	Silver		
Dimmable	No		
Driver	Remote		
Input Voltage	220-240V		



This product has a warranty period of 5 Years from the date of purchase. The warranty is invalid in the case of improper use, installation, tampering, and removal of the Q.C. date label; installation in an improper working environment or installation not according to the current edition of the National Electric Code. Should this product fail during the warranty period it will be replaced free of charge, subject to the correct installation of the original product and subsequent return of the faulty unit.

Outside of the initial 12 month period Prolight does not accept responsibility for any installation costs associated with the replacement of this product and Prolight reserves the right to alter specifications without prior notice.