

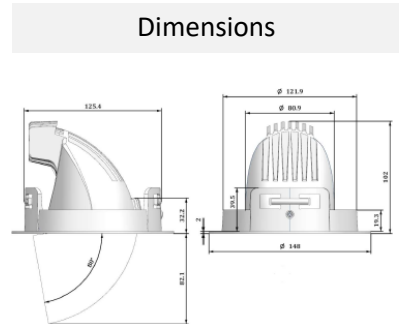
TEMP CASA DL



Prolight Design offer an extensive range of core and bespoke lighting products and solutions for some of the world's biggest brands in retail, leisure, office and industry. From conceptual design to manufacture to installation and beyond, we cover every element of lighting under one roof.

Recessed LED Luminaire, available in a variety of lumen outputs to suit every lighting requirement. The fitting is available in White, Black and Silver as a standard. Please enquire for individual specifications.

Specification		Warranty Terms
Lumen Output	Up to 3625 lumens	5 Years
Colour Rendering Index	CRI 80 +/CRI 90 +	
Colour Temperature	2700K/3000K/3500K/4000K/5000K	
Luminaire Beam Angle	15°/21°/32°/46°	
Protection	IP20	
Colour	Black/White/Silver	
Dimmable	No	
Driver	Integral	
Input Voltage	220-240V	
Weight	0.5kg	



This product has a warranty period of 5 Years from the date of purchase. The warranty is invalid in the case of improper use, installation, tampering, and removal of the Q.C. date label; installation in an improper working environment or installation not according to the current edition of the National Electric Code. Should this product fail during the warranty period it will be replaced free of charge, subject to the correct installation of the original product and subsequent return of the faulty unit.