

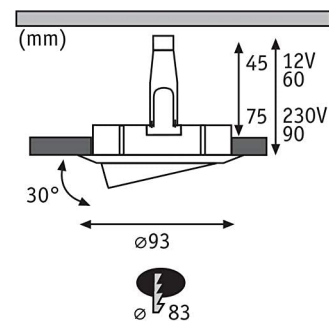
ADJUSTABLE IP65 DOWNLIGHT



Prolight Design offer an extensive range of core and bespoke lighting products and solutions for some of the world's biggest brands in retail, leisure, office and industry. From conceptual design to manufacture to installation and beyond, we cover every element of lighting under one roof.

Adjustable LED IP65 Luminaire, available in White as standard.
Please enquire for individual specifications.

Specification		Warranty Terms
Wattage	35W	5 Years
Protection	IP65	
Colour	White	
Dimmable	Mains	
Input Voltage	220-230V	
Weight	0.351kg	
Cutout	93mm	



This product has a warranty period of 5 Years from the date of purchase. The warranty is invalid in the case of improper use, installation, tampering, and removal of the Q.C. date label; installation in an improper working environment or installation not according to the current edition of the National Electric Code. Should this product fail during the warranty period it will be replaced free of charge, subject to the correct installation of the original product and subsequent return of the faulty unit. Prolight reserves the right to alter specifications without prior notice.